



2/2-way Diaphragm Valve with stainless steel design, weld end or clamp connection, DN 4-50

- Hermetical separation of fluids from the operating mechanism by diaphragm
- Zero dead volume
- Various surface finishes
- Certified according to **FDA**
- Clean design for optimal use in hygienic environment

Type 2103 cast continuous can be combined with...



Type 8692/8693

Positioner / Prozessregler TopControl



Type 8694

Positioner TopControl Basic



Type 8696

TopControl Basic



Type 8792/93

SideControl Remote versions

The externally piloted diaphragm valve type 2103 consists of a pneumatically operated piston actuator, a diaphragm and a 2-way valve housing made of cast stainless steel. The high-quality actuator with a stainless steel cover is designed for usage in hygienic or aggressive environments.

The flow optimised and zero dead volume valve body makes high flow rates possible and a variety of applications to be realised.


The design enables the easy integration of automation modules whether they are electrical/optical position feedback, pneumatic control units, an integrated fieldbus interface or even an explosion proof feedback.

The fully integrated system has a compact and smooth design, integrated pneumatic lines, IP65/67/NEMA4X protection class and superior chemical resistance.

1) Advanced PTFE/EPDM is recommended for sterilization cycle

Technical data	
Orifice	DN 4 to 50
Body material	Cast stainless steel 316L / 1.4435
Actuator material	PPS
Actuator Cover	Stainless steel 1.4561 (316Ti)
Diaphragm materials	EPDM, PTFE/EPDM (advanced PTFE/EPDM, FKM on request)
Medium	For neutral gases and liquids, high purity, sterile, aggressive or abrasive fluids
Viscosity	Up to viscous
Surface finish	(average surface finish)
internal mechanical polished (external cast surface)	Ra ≤ 0.8 µm
internal electro polished (external cast surface electro polished)	Ra ≤ 0.6 µm
internal mechanical polished	Ra ≤ 1.6 µm (on request)
Medium temperature	EPDM, PTFE/EPDM, advanced PTFE/EPDM (on request) ¹⁾ FKM on request
	-10 to +130 °C (briefly up to +150°C for steam sterilisation) -10 to +130°C
Ambient temperature	+5 to +60 °C
Control medium	Neutral gases, air
Max. pilot pressure	max. 10 bar; Actuator size 130 mm 7 bar
Port connections	
Welded acc.	EN ISO 1127/ISO 4200, DIN 11850, SMS 3008 (on request)
Clamp acc. to Sterile threaded ports	DIN 32676, BS 4825, ISO 2852/SMS 3017 (on request) on request
Pilot air ports	Push-in connector for external Ø 6 mm or 1/4" tube, Thread G 1/8 (on request)
Installation	As required, preferably with actuator in upright position

Content

Valve specifications	System Continuous ELEMENT		Request for quotation
Type 2103 cast Continuous		Type 8802-DF	Type 8802-DF
Technical data & ordering info.	p. 1-5	Ordering info. & technical data	p. 6-11
			p. 12/13

Technical data valves

Kv-values

Orifice		Kv value water (m ³ /h)	Actuator size Ø [mm]	Permitted pilot pressure [bar]		Max. operating pressure [bar] for seal material	
[mm]	[inch]			min.	max.	EPDM, FKM [bar]	PTFE/EPDM and advanced PTFE/ EPDM [bar]
4	–	0,8	50	5	10	10	10
6	–	0,8	50	5	10	10	10
8	1/4"	1,0	50	5	10	10	10
10	3/8"	1,0	50	5	10	10	10
15	1/2"	5,5	70	5	10	10	10
20	3/4"	10,0	70	5	10	10	10
25	1"	14,0	70	5	10	6,5	6
			90	5,5	10	10	8
40	1 1/2"	30,0	130	5	7	10	10
50	2"	51,5	130	5	7	8	7

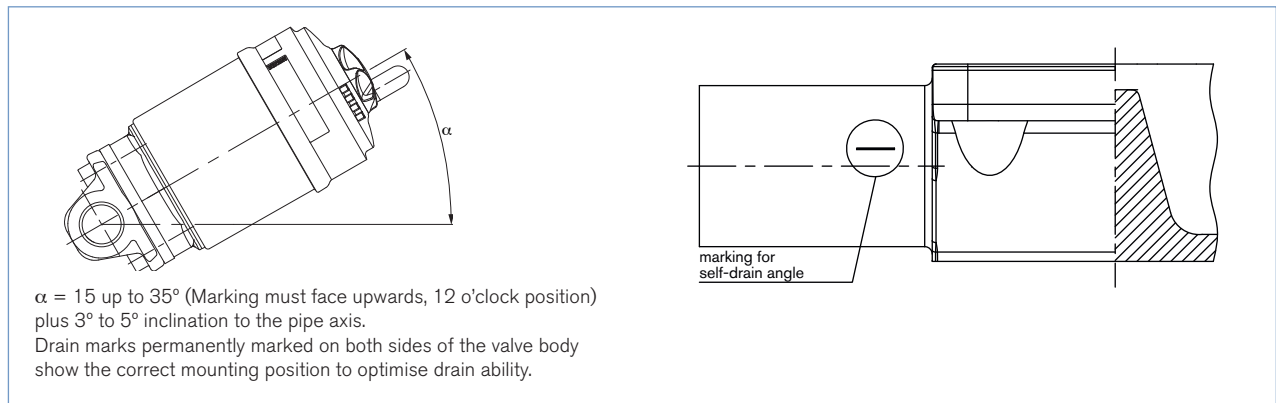
Flow rate: Kv-value water (m³/h)

Measured at +20 °C, 1 bar pressure at valve inlet and free outlet

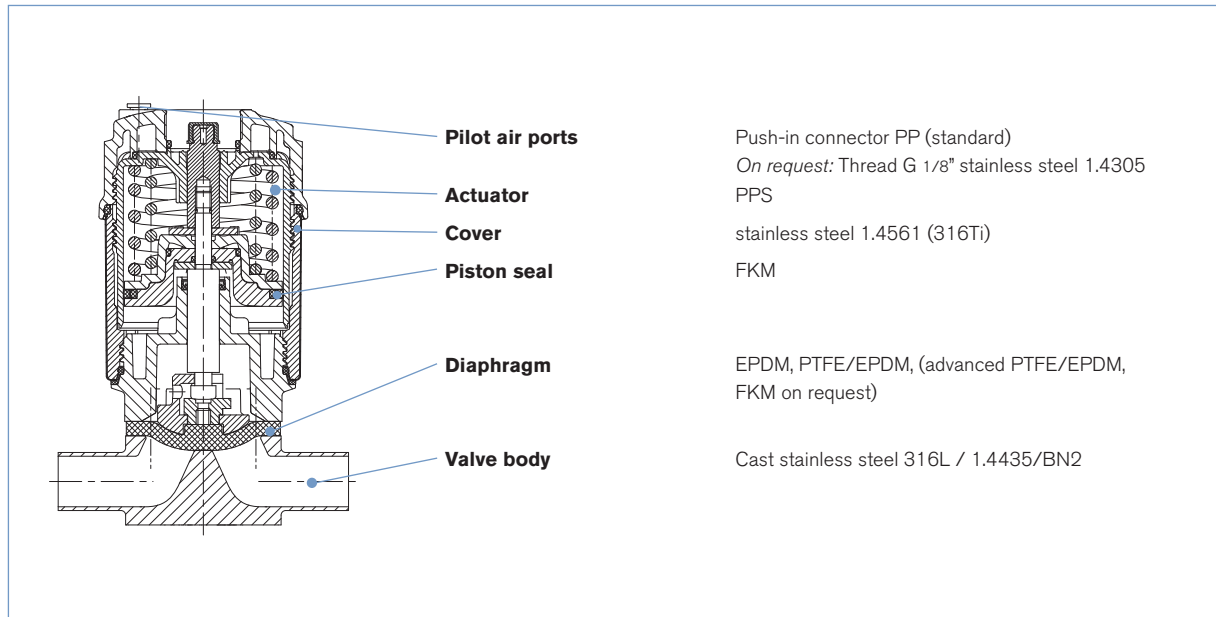
Pressure values (bar)

Measured as overpressure to the atmospheric pressure

Installation for self-draining operation



Materials



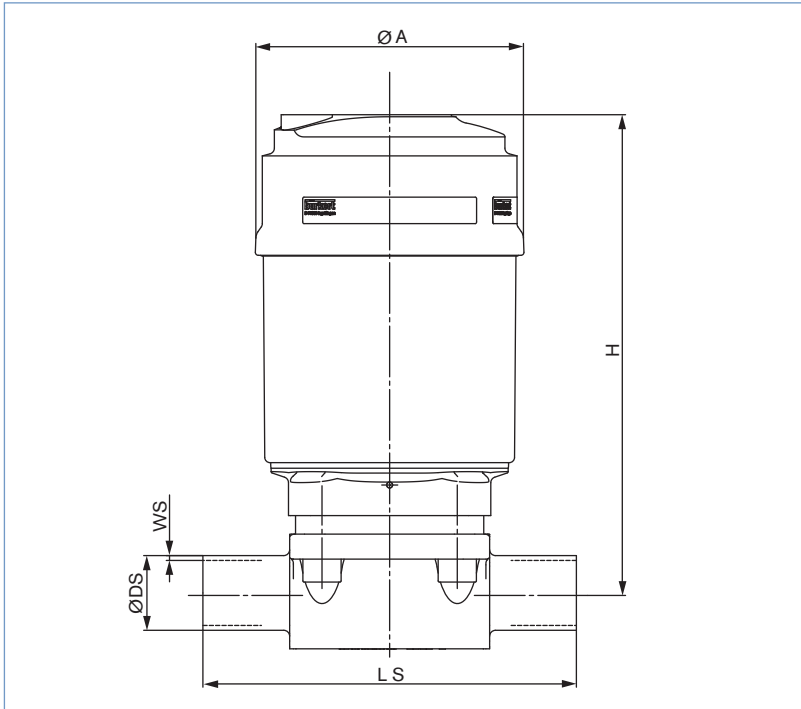
Approvals

Suitability for foodstuffs / sterile applications

FDA • The composition of the EPDM, PTFE/EPDM and advanced PTFE/EPDM diaphragms corresponds to the *Code of Federal Regulations*, published by the *FDA* (Food and Drug Administration, USA).

Dimensions Type 2103 cast diaphragm valve [mm]

Welded connection



EN ISO 1127/ISO 4200, DIN 11850 R2

Orifice		Actuator size Ø	Ø A	H	LS	EN ISO 1127/ ISO 4200		DIN 11850 Series 2	
[mm]	[inch]					Ø DS	WS	Ø DS	WS
8	1/4"	50	64,5	119	90	13,5	1,6	–	–
10	3/8"	50	64,5	119	90	17,2	1,6	13	1,0
15	1/2"	70	91	150	110	21,3	1,6	19	1,5
20	3/4"	70	91	160	119	26,9	1,6	23	1,5
25	1"	70	91	163	129	33,7	2,0	29	1,5
		90	120	196	129	33,7	2,0	29	1,5
40	1 1/2"	130	159	277	161	48,3	2,0	41	1,5
50	2"	130	159	300	192	60,3	2,0	53	1,5

DIN 11850 R0

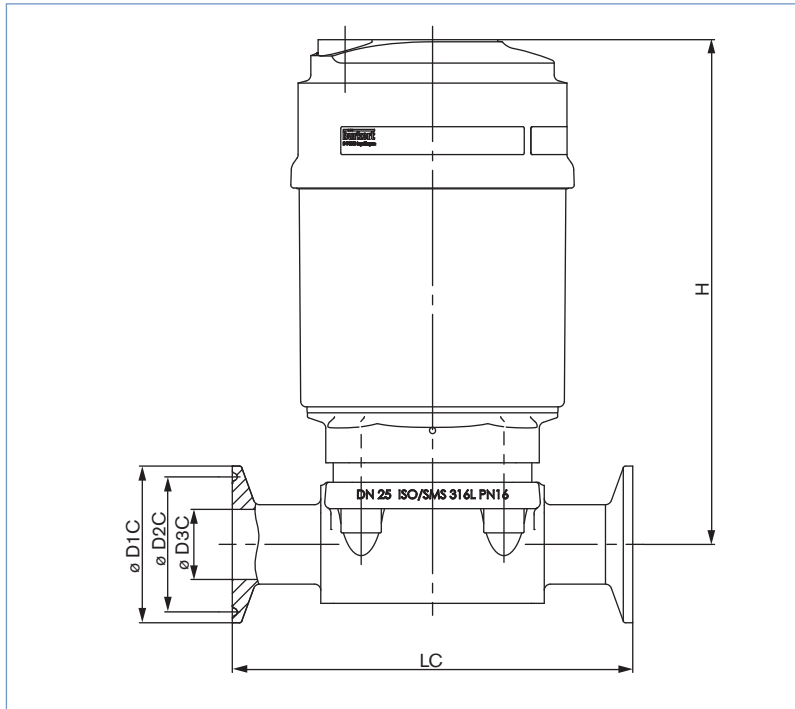
Orifice	Actuator size Ø	Ø A	H	LS	Ø DS	WS
[mm]	[mm]					
4	50	64,5	119	90	6,0	1,0
6	50	64,5	119	90	8,0	1,0

On request: SMS 3008

Orifice	Actuator size Ø	Ø A	H	LS	Ø DS	WS
[mm]	[inch]					
25	1"	70	91	163	129	25
		90	120	196	129	25
40	1 1/2"	130	159	277	161	38
50	2"	130	159	300	192	51

Dimensions Type 2103 cast diaphragm valve [mm], continued

Clamp connection



DIN 32676 and ISO 2852-SMS 3017 (on request)

Orifice		Actuator size Ø [mm]	H	LC	ØD1C	ØD2C	ØD3C	DIN 32676	ISO 2852-SMS 3017
[mm]	[inch]							ØD3C	ØD3C
15	1/2"	70	150	110	34	27,5	16	–	
20	3/4"	70	160	119	34	27,5	20	–	
25	1"	70	163	129	50,5	43,5	26	22,6	
		90	196	129	50,5	43,5	26	22,6	
40	1 1/2"	130	277	161	50,5	43,5	38	35,6	
50	2"	130	300	192	64	56,5	50	48,6	

BS 4825

Orifice		Actuator size Ø [mm]	H	BS 4825				
[mm]	[inch]			LC	ØD1C	ØD2C	ØD3C	
8	1/4"	50	119	89	25	20,22	7,1	
10	3/8"	50	119	89	25	20,22	10,3	
15	3/4"	70	150	102	25	20,22	16,65	
25	1"	70	163	114	50,5	43,5	22,2	
		90	196	114	50,5	43,5	22,2	
40	1 1/2"	130	277	140	50,5	43,5	34,9	
50	2"	130	300	159	64	56,5	47,6	

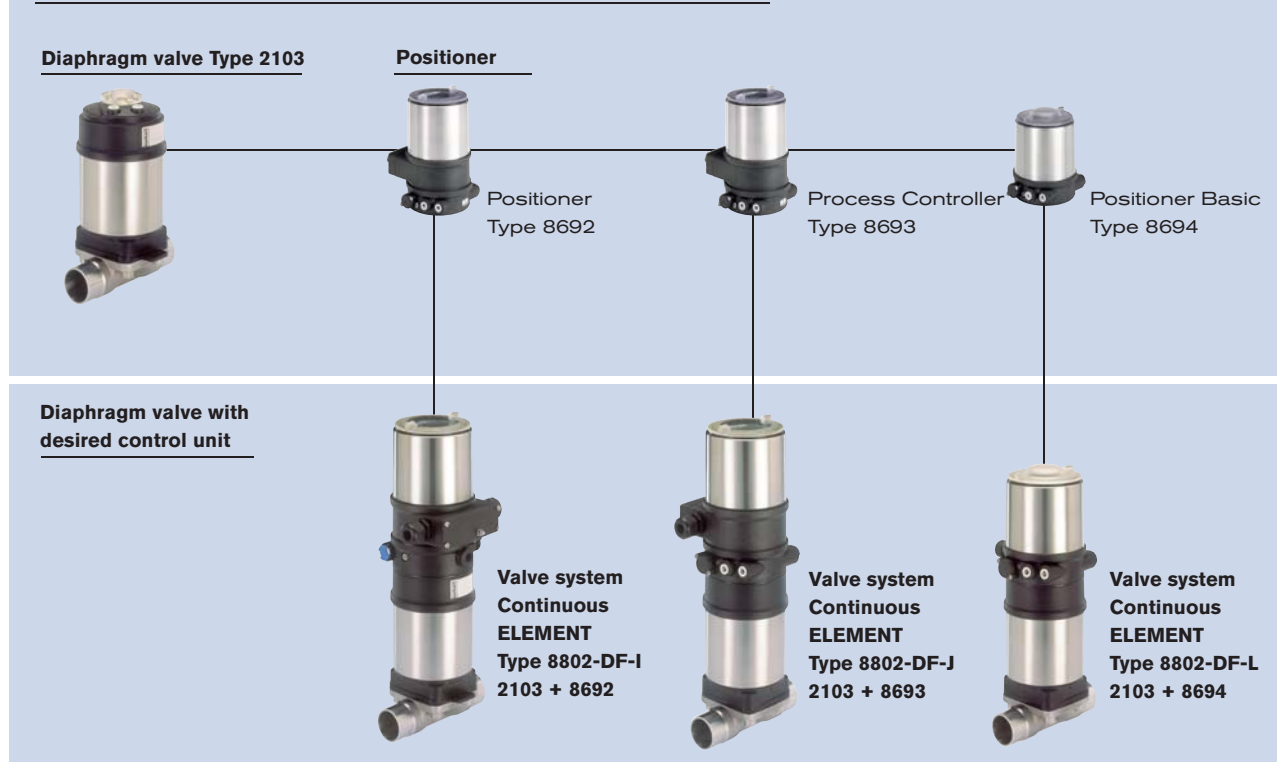
Ordering information for valve system Continuous ELEMENT Type 8802-DF

A valve system Continuous ELEMENT Type 8802-DF consists of a diaphragm valve Type 2103 and a digital electropneumatic Positioner Type 8692, a digital electropneumatic Process Controller Type 8693, a digital electropneumatic Positioner Basic Type 8694 (below), an electropneumatic positioner Type 8792/8793 (for valve actuator sizes ø70/90/130 mm) or a digital electropneumatic Positioner Type 8696 (for valve actuator size ø50 mm) (see next page) (see separate datasheets).

For the configuration of further valve systems please use the "Request for quotation" on p. 12 [go to page](#)

You order two components and receive a complete assembled and certified valve.

Ordering the valve system Continuous ELEMENT Type 8802-DF



When you click on the orange box "More info." below, you will come to our website for the resp. product where you can download the datasheet.

Positioner TopControl Type 8692 [More info.](#)

Process Controller TopControl Type 8693 [More info.](#)

The new generation of integrated positioners/process controllers for combination with actuators from the process valve series Type 23xx/2103 is specially designed for the requirements of hygienic process environments. The easy handling and the selection of additional software functions are done either on a big graphic display with backlight and keypad or via a PC interface. A contact-free analogue position sensor registers the valve position without deterioration. Single-acting or double-acting actuators are controlled via the integral positioner system. With Type 8693, the process controller function is superimposed on the position control loop. Profibus DPV1 and DeviceNet communication interfaces are available as options.

Main customer benefits:

- Compact design of the valve system with integrated positioner/process controller meets the demands for plant washdown environments through the selection of materials, external seals and integrated control air supply to the actuator
- Extremely simple commissioning and operation thanks to the backlighting of the graphics display and proven multilingual software structure
- Automatic parameterisation of the positioner and process controller using the TUNE functions
- Field bus communication via Profibus DPV1 or DeviceNet
- Air intake filter enhances the process valve system availability
- Simple and reliable actuator adaption
- Explosion-proof models for zone 2/22

Positioner TopControl Basic Type 8694 [More info.](#)

The new generation of integrated positioners for combination with actuators from the process valve series Type 23xx/2103 is specially designed for the requirements of hygienic process environments. The operation and selection of the software functions close tight function, inversion of the operating direction of the setpoint signal, characteristic curves selection and switching manual/automatic operation are effected via push-buttons and DIP switches or via the PC interface. The position setpoint is set using the standard signal 4 - 20 mA. In addition, the enable can be controlled via the binary input and an optional position feedback can be integrated.

The positioner, Type 8694, registers the valve position without deterioration through a contact-free analogue position sensor. Single-acting or double-acting actuators are controlled via the integral positioner system. An AS-Interface communication interface is available as an option.

Main customer benefits:

- Compact design of the valve system with integrated positioner meets the demands for plant washdown environments through the selection of materials, external seals and integrated control air supply to the actuator
- Automatic parameterisation of the positioner using the Process TUNE function
- Field bus communication via optional AS-Interface
- Air intake filter enhances the process valve system availability
- Simple and reliable actuator adaption allowing additional actuators of the process valve series, Type 20xx or actuators from other manufacturers to be used
- Explosion-proof models for zone 2/22

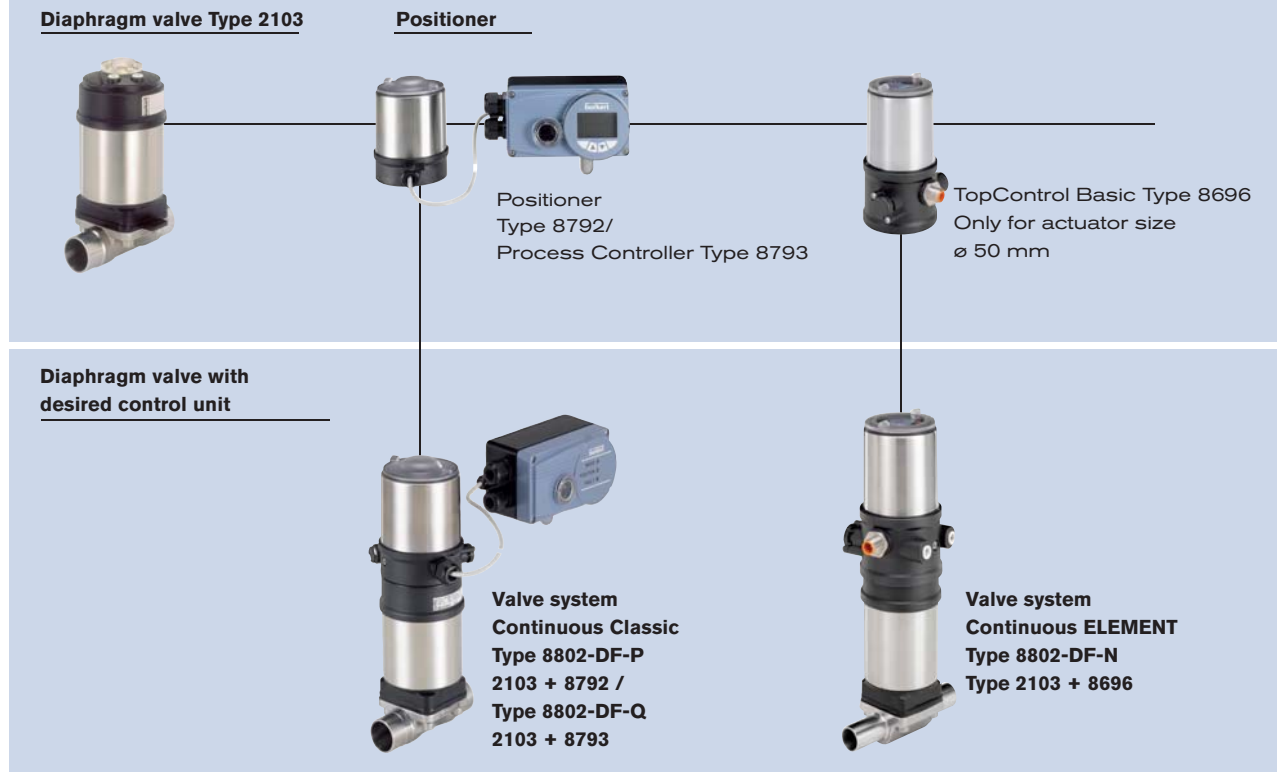
Ordering information for valve system Continuous ELEMENT Type 8802-DF, continued

A valve system Continuous ELEMENT Type 8802-DF consists of a diaphragm valve Type 2103 and a digital electropneumatic Positioner Type 8692, a digital electropneumatic Process Controller Type 8693, a digital electropneumatic Positioner Basic Type 8694 (previous page), an electropneumatic positioner Type 8792/8793 (for valve actuator sizes $\varnothing 70/90/130$ mm) or a digital electropneumatic Positioner Type 8696 (for valve actuator size $\varnothing 50$ mm) (see below) (see separate datasheets).

For the configuration of further valve systems please use the "Request for quotation" on p. 12 [go to page](#)

You order two components and receive a complete assembled and certified valve.

Ordering the valve system Continuous ELEMENT Type 8802-DF



When you click on the orange box "More info." below, you will come to our website for the resp. product where you can download the datasheet.

Positioner SideControl Type 8792 [More info.](#)

Process Controller SideControl Type 8793 [More info.](#)

Type 8792/8793 is a digital electropneumatic positioner with an optional, integrated process controller (8793) for precise control requirements. The compact design with integrated position encoder and LCD display was developed for demanding applications of the process industry. A Profibus DPV1 communication interface is available as an option.

Main customer benefits:

- Time saving algorithms for temperature, flow and pressure PID parameters through ProcessTUNE function.
- Quick and simple menu driven parameterization through keyboard or Profibus DPV1 PA
- Adaption acc. to IEC534-6 and VDI/VDE 3845 for lift and swivel drives or as a Remote version together with Bürkert process valves
- Rugged anodised aluminium housing
- Suitable for hazardous locations per zone 2/22

TopControl Basic Type 8696 [More info.](#)

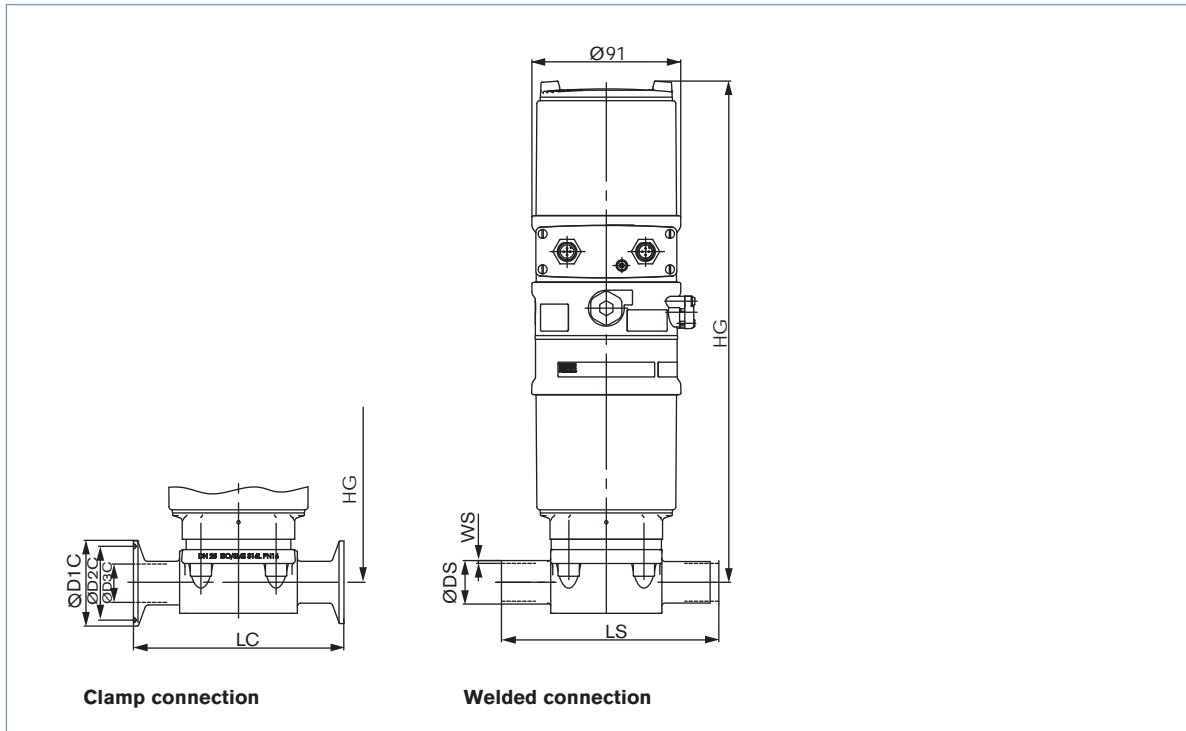
The new generation of integrated positioners for combination with small actuators from the process valve series Type 23xx/2103 is specially designed for the requirements of hygienic process environments. The operation and selection of the software functions close tight function, inversion of the operating direction of the setpoint signal, characteristic curves selection and switching manual/automatic operation are effected via push-buttons and DIP switches or via the PC interface. The position setpoint is set using the standard signal 4 - 20 mA. In addition, the enable can be controlled via the binary input and an optional position feedback can be integrated. The positioner, Type 8696, registers the valve position without deterioration through a contact-free analogue position sensor. Single-acting actuators are controlled via the integral positioner system.

Main customer benefits:

- Compact design of the valve system with integrated positioner meets the demands for plant washdown environments through the selection of materials, external seals and integrated control air supply to the actuator
- Automatic parameterisation of the process controller using the Process TUNE function
- Simple and reliable actuator adaption
- Suitable for hazardous locations per zone 2/22

Dimensions for valve system Continuous ELEMENT Type 8802-DF [mm]

Dimensions valve system Continuous ELEMENT Type 8802-DF-I with Positioner TopControl Type 8692 and 8802-DF-J with Process Controller TopControl Type 8693 [mm]



Welded connection

Orifice [mm]	Actuator size Ø [mm]	HG	EN ISO 1127/ ISO 4200			DIN 11850 Reihe 2			SMS 3008 (on request)		
			LS	Ø DS	WS	LS	Ø DS	WS	LS	Ø DS	WS
15	70	294	110	21,3	1,6	110	19	1,5	-	-	-
20	70	304	119	26,9	1,6	119	23	1,5	-	-	-
25	70	307	129	33,7	2,0	129	29	1,5	127	25	1,2
	90	340	129	33,7	2,0	129	29	1,5	127	25	1,2
40	130	421	161	48,3	2,0	161	41	1,5	-	-	-
50	130	444	192	60,3	2,0	192	53	1,5	-	-	-

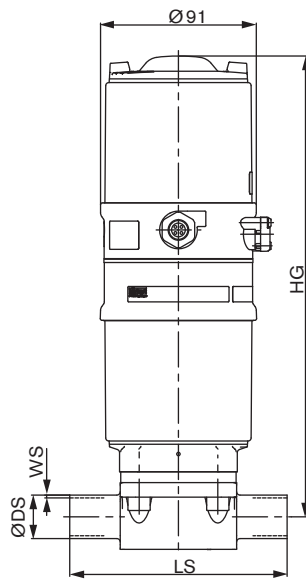
Clamp connection

All bodies				DIN 32676				BS 4825				ISO 2852-SMS 3017 (on request)			
Orifice		Actuator size Ø [mm]	HG	LC	ØD1C	ØD2C	ØD3C	LC	ØD1C	ØD2C	ØD3C	LC	ØD1C	ØD2C	ØD3C
[mm]	[inch]														
15	1/2"	70	294	110	34	27,5	16	102	25	20,22	16,7	-	-	-	-
20	3/4"	70	304	119	34	27,5	20	-	-	-	-	-	-	-	-
25	1"	70	307	129	50,5	43,5	26	114	50,5	43,5	22,2	129	50,5	43,5	22,6
		90	340	129	50,5	43,5	26	114	50,5	43,5	22,2	129	50,5	43,5	22,6
40	1 1/2"	130	421	161	50,5	43,5	38	140	50,5	43,5	34,9	-	-	-	-
50	2"	130	444	192	64	56,5	50	159	64,0	56,5	47,6	-	-	-	-

Dimensions for valve system Continuous ELEMENT Type 8802-DF [mm], continued

Dimensions valve system Continuous ELEMENT Type 8802-DF-L with Positioner TopControl Basic Type 8694 [mm]

Welded connection



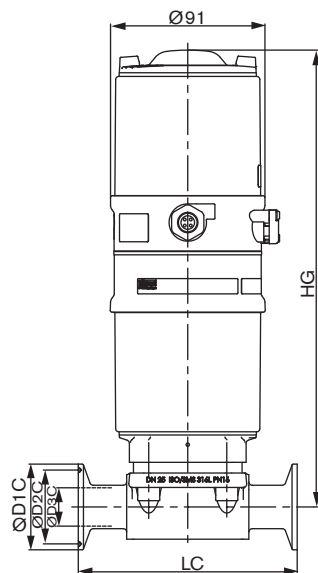
EN ISO 1127/ISO 4200, DIN 11850 R2

Orifice [mm]	Actuator size Ø [mm]	HG	LS	EN ISO 1127/ ISO 4200		DIN 11850 Series 2	
				Ø DS	WS	Ø DS	WS
15	70	254	110	21,3	1,6	19	1,5
20	70	264	119	26,9	1,6	23	1,5
25	70	267	129	33,7	2,0	29	1,5
	90	300	129	33,7	2,0	29	1,5

On request: SMS 3008

Orifice [mm]	[inch]	Actuator size Ø [mm]	HG	LS	Ø DS	WS
		90	300	127	25	1,2

Clamp connecton



DIN 32676, BS 4825

All bodies				DIN 32676				BS 4825			
Orifice [mm]	[inch]	Actuator size Ø [mm]	HG	LC	Ø D1C	Ø D2C	Ø D3C	LC	Ø D1C	Ø D2C	Ø D3C
20	3/4"	70	264	119	34	27,5	20	-	-	-	-
25	1"	70	267	129	50,5	43,5	26	114	50,5	43,5	22,2
		90	300	129	50,5	43,5	26	114	50,5	43,5	22,2

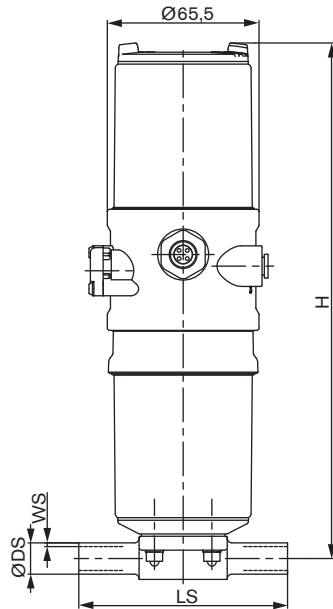
On request: ISO 2852-SMS 3017

Orifice [mm]	[inch]	Actuator size Ø [mm]	HG	LC	Ø D1C	Ø D2C	Ø D3C
		90	300	129	50,5	43,5	22,6

Dimensions for valve system Continuous ELEMENT Type 8802-DF [mm], continued

Dimensions valve system Continuous ELEMENT Type 8802-DF-N with Positioner TopControl Basic Type 8696 [mm]

Welded connection



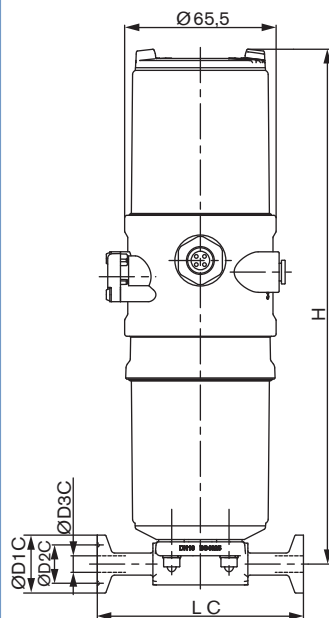
EN ISO 1127/ISO 4200, DIN 11850 R2

Orifice [mm]	Actuator size Ø [mm]	H	LS	EN ISO 1127/ ISO 4200		DIN 11850 Series 2	
				Ø DS	WS	Ø DS	WS
8	50	223	90	13,5	1,6	–	–
10	50	223	90	17,2	1,6	13	1,5

DIN 11850 R0

Orifice [mm]	Actuator size Ø [mm]	H	LS	Ø DS	WS
4	50	223	90	6	1,0
6	50	223	90	8	1,0

Clamp connection



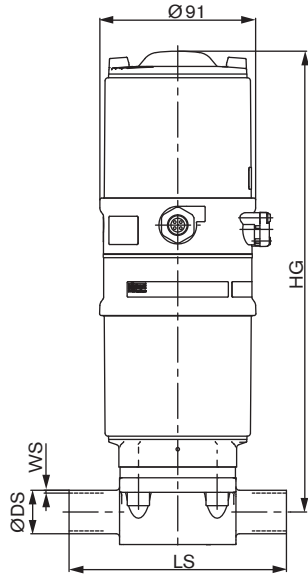
BS 4825

Orifice		Actuator size Ø [mm]	H	LC	Ø D1 C	Ø D2 C	Ø D3 C
[mm]	[inch]						
8	1/4"	50	223	89	25	20,22	7,1
10	3/8"	50	223	89	25	20,22	10,3

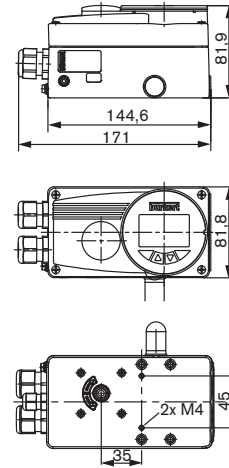
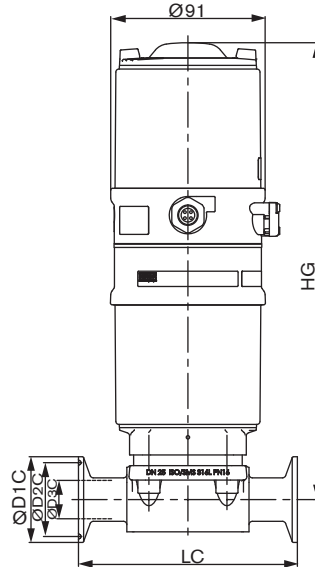
Dimensions for valve system Continuous ELEMENT Type 8802-DF [mm], continued

Dimensions valve system Continuous ELEMENT Type 8802-DF-P with Positioner SideControl Remote Type 8792 and Type 8802-DF-Q with Process Controller SideControl Remote Type 8793 [mm]

Welded connection



Clamp connection



Welded connection

Orifice		Actuator size Ø [mm]	HG	LS	EN ISO 1127/ ISO 4200		DIN 11850 Series 2		SMS 3008 (on request)	
[mm]	[inch]				Ø DS	WS	Ø DS	WS	Ø DS	WS
15	1/2"	70	254	110	21,3	1,6	19	1,5	-	-
20	3/4"	70	264	119	26,9	1,6	23	1,5	-	-
25	1"	70	267	129	33,7	2,0	29	1,5	25	1,2
		90	300	129	33,7	2,0	29	1,5	25	1,2
40	1 1/2"	130	381	161	48,3	2,0	41	1,5	38	1,2
50	2"	130	404	192	60,3	2,0	53	1,5	51	1,2

Clamp connection

DIN 32676, BS 4825

All bodies				DIN 32676			BS 4825				
Orifice		Actuator size Ø [mm]	HG	LC	Ø D1C	Ø D2C	Ø D3C	LC	Ø D1C	Ø D2C	Ø D3C
[mm]	[inch]										
15	1/2"	70	254	110	34	27,5	16	102	25	20,22	16,7
20	3/4"	70	264	119	34	27,5	20	-	-	-	-
25	1"	70	267	129	50,5	43,5	26	114	50,5	43,5	22,2
		90	300	129	50,5	43,5	26	114	50,5	43,5	22,2
40	1 1/2"	130	381	161	50,5	43,5	38	140	50,5	43,5	34,9
50	2"	130	404	192	64,0	56,5	50	159	64	56,5	47,6

On request: ISO 2852-SMS 3017

Orifice		Actuator size Ø [mm]	HG	LC	Ø D1C	Ø D2C	Ø D3C
[mm]	[inch]						
25	1"	70	267	129	50,5	43,5	22,6
		90	300	129	50,5	43,5	22,6

Note

You can fill out the fields directly in the PDF file before printing out the form.

Valve system Continuous ELEMENT Type 8802-DF - Request for quotation

▶ Please fill out and send to your nearest Bürkert facility* with your inquiry or order

Company	Contact person
Customer no.	Department
Address	Tel./Fax
Postcode/town	E-Mail

= mandatory fields to fill out Quantity Required delivery date

Operating data

Pipeline	DN <input type="text"/>	PN <input type="text"/>
Pipe material	<input type="text"/>	
<input checked="" type="checkbox"/> Process medium	<input type="text"/>	
<input checked="" type="checkbox"/> Type of medium	<input type="checkbox"/> Liquid	<input type="checkbox"/> Steam <input type="checkbox"/> Gas

Valve features

Specification key

automatically transferred from last page

[go to page](#)

<input type="checkbox"/>	<input type="checkbox"/>	<input type="checkbox"/>	<input type="checkbox"/>	<input type="text"/>	<input type="checkbox"/>
--------------------------	--------------------------	--------------------------	--------------------------	----------------------	--------------------------

Surface finish (if not standard)

internal μm external μm

Pilot pressure

min. max.

continued next page

Comments

* To find your nearest Bürkert facility, click on the orange box →

www.burkert.com

Valve system Continuous ELEMENT Type 8802-DF - Request for quotation, *continued*

Control unit features		
For actuator sizes 70/90/130 mm		
<input type="checkbox"/> Positioner TopControl Type 8692 More info.	<input type="checkbox"/> Process Controller TopControl Type 8693 More info.	<input type="checkbox"/> Positioner TopControl Basic Type 8694 More info.
		<input type="checkbox"/> Positioner SideControl Remote Type 8792 More info. <input type="checkbox"/> Process Controller SideControl Remote Type 8793 More info.
Pneumatic function <input type="checkbox"/> Single-acting <input type="checkbox"/> Double-acting Communication <input type="checkbox"/> Profibus <input type="checkbox"/> DeviceNet Electrical connection <input type="checkbox"/> Cable gland <input type="checkbox"/> Multipole connection Feedback <input type="checkbox"/> 4-20 mA <input type="checkbox"/> 4-20 mA + 2 binary outputs Initiator <input type="checkbox"/> Initiator Please specify item no. if known: <input type="text"/>	Pneumatic function <input type="checkbox"/> Single-acting Pilot air ports <input type="checkbox"/> Push-in connector external ø 6 mm or 1/4" <input type="checkbox"/> Thread G 1/8" Electrical connection <input type="checkbox"/> Cable gland <input type="checkbox"/> Multipole connection Feedback <input type="checkbox"/> 4-20 mA Please specify item no. if known: <input type="text"/>	Power supply 24 VDC Communication <input type="checkbox"/> Without <input type="checkbox"/> Profibus DPV1 Feedback <input type="checkbox"/> Analogue feedback + 2 binary outputs <input type="checkbox"/> 2 binary outputs Electrical connection <input type="checkbox"/> Cable gland <input type="checkbox"/> Multipole connection Please specify item no. if known: <input type="text"/>

For actuator sizes 50 mm
<input type="checkbox"/> Positioner TopControl Basic Type 8696 More info.
Pneumatic function <input type="checkbox"/> Single-acting Pilot air ports <input type="checkbox"/> Push-in connector external ø 6 mm or 1/4" <input type="checkbox"/> Thread G 1/8" Feedback <input type="checkbox"/> 4-20 mA Please specify item no. if known: <input type="text"/>

Certifications
<input type="checkbox"/> Attestation of compliance with the order EN-ISO 10204 2.1 (Item-No. 440 788) <input type="checkbox"/> Test report EN-ISO 10204 2.2 (Item-No. 803 722) <input type="checkbox"/> Certification of Conformity for Raw Material EN-ISO 10204 3.1 (Item-No. 803 723) <input type="checkbox"/> EN161 (European Gas Device guideline) <input type="checkbox"/> FDA - USP certificate

Comment / sketch

DTS 1000149880 EN Version: C Status: RL (released | freigegeben | valide) printed: 20.01.2015

Valve features, specification key

Example

A 15 AB VG SA42 NO06

Specification key

Please make a choice

CONTROL FUNCTION

A	NC by spring action
B	normally open by spring action
I	double-acting

SIZE [mm]

04
06
08
10
15
20
25
32
40
50

SEAL MATERIAL

AB	EPDM in food quality
EA	PTFE/EPDM
FF	FKM
EU	advanced PTFE/EPDM in two pieces
ET	advanced PTFE (bonded on EPDM)

BODY MATERIALS

VG	Cast stainless steel 316L/1,4435
----	----------------------------------

VARIABLE CODES

Surface finish, internal		
NO06	mechanical polished Ra=0,8 µm	Standard
NO16	electro polished Ra=0,6 µm	
NO18	mechanical polished =1,6 µm	



PORT CONNECTION

Welded connection

Port conn. [mm]	EN ISO 1127/ISO 4200	SMS 3008	DIN 11850			BS 4825	ASME BPE	JIS Sanitary	JIS Utility
			Series 0	Series 1	Series 2				
4			SC40=6x1,0						
6			SC41=8x1,0						
8	SA40=13,5x1,6		SC42=10x1,0			SODB=6,35x1,2	SA90=6,35x0,89	SA70=13,8x1,65	
10	SA41=17,2x1,6			SF40=12x1,0	SD40=13x1,5	SODC=9,53x1,2	SA91=9,53x0,89	SA71=17,3x1,65	
15	SA42=21,3x1,6			SF41=18x1,0	SD42=19x1,5	SODD=12,7x1,2	SA92=12,7x1,65	SA72=21,7x2,1	
20	SA43=26,9x1,6			SF42=22x1,0	SD43=23x1,5	SODE=19,05x1,2	SA93=19,05x1,65	SA76=27,2x2,1	SA80=27,2x2,1
25	SA44=33,7x2,0	SA60=25,0x1,2		SF43=28x1,0	SD44=29x1,5	SODF=25,4x1,65	SODF=25,4x1,65	SA73=25,4x1,2	SA81=34x2,0
32	SA45=42,4x2,0			SF44=34x1,0	SD45=35x1,5				SA83=42,7x2,0
40	SA46=48,3x2,0	SA62=38,0x1,2		SF45=40x1,0	SD46=41x1,5	SODH=38,1x1,65	SODH=38,1x1,65	SA74=38,1x1,2	SA84=60,5x2,0
50	SA47=60,3x2,0	SA63=51,0x1,2		SF46=52x1,0	SD47=53x1,5	SODI=50,8x1,65	SODI=50,8x1,65	SA75=50,8x1,5	

Welded connection

Port conn. [mm]	ISO 2852 SMS 3017	BS4825	DIN 32676
8	TC51=Clamp 34 – for tube ISO 4200	TG41=Clamp 25 – tube 9,53x1,2	
10	TC41=Clamp 34 – for tube ISO 4200	TH42=Clamp 25 – tube 12,7x1,2	TD41=Clamp 34 – tube 13x1,5
15	TC42=Clamp 34 – for tube ISO 4200	TH43=Clamp 25 – tube 19,05x1,2	TD42=Clamp 34 – tube 19x1,5
20	TC43=Clamp 50,5 – for tube ISO 4200		TD43=Clamp 34 – tube 23x1,5
25	TC44=Clamp 50,5 – for tube ISO 4200	TG44=Clamp 50,5 – tube 25,4x1,65	TD44=Clamp 50,5 – tube 29x1,5
40	TC46=Clamp 64 – for tube ISO 4200	TG45=Clamp 50,5 – tube 38,1x1,65	TD46=Clamp 50,5 – tube 41x1,5
50	TC47=Clamp 77,5 – for tube ISO 4200	TG46=Clamp 64 – tube 50,8x1,65	TD47=Clamp 64 – tube 53x1,5

In case of special application conditions, please consult for advice

Subject to alterations
© Christian Bürkert GmbH & Co. MG

1207/2_EN-en_00895149